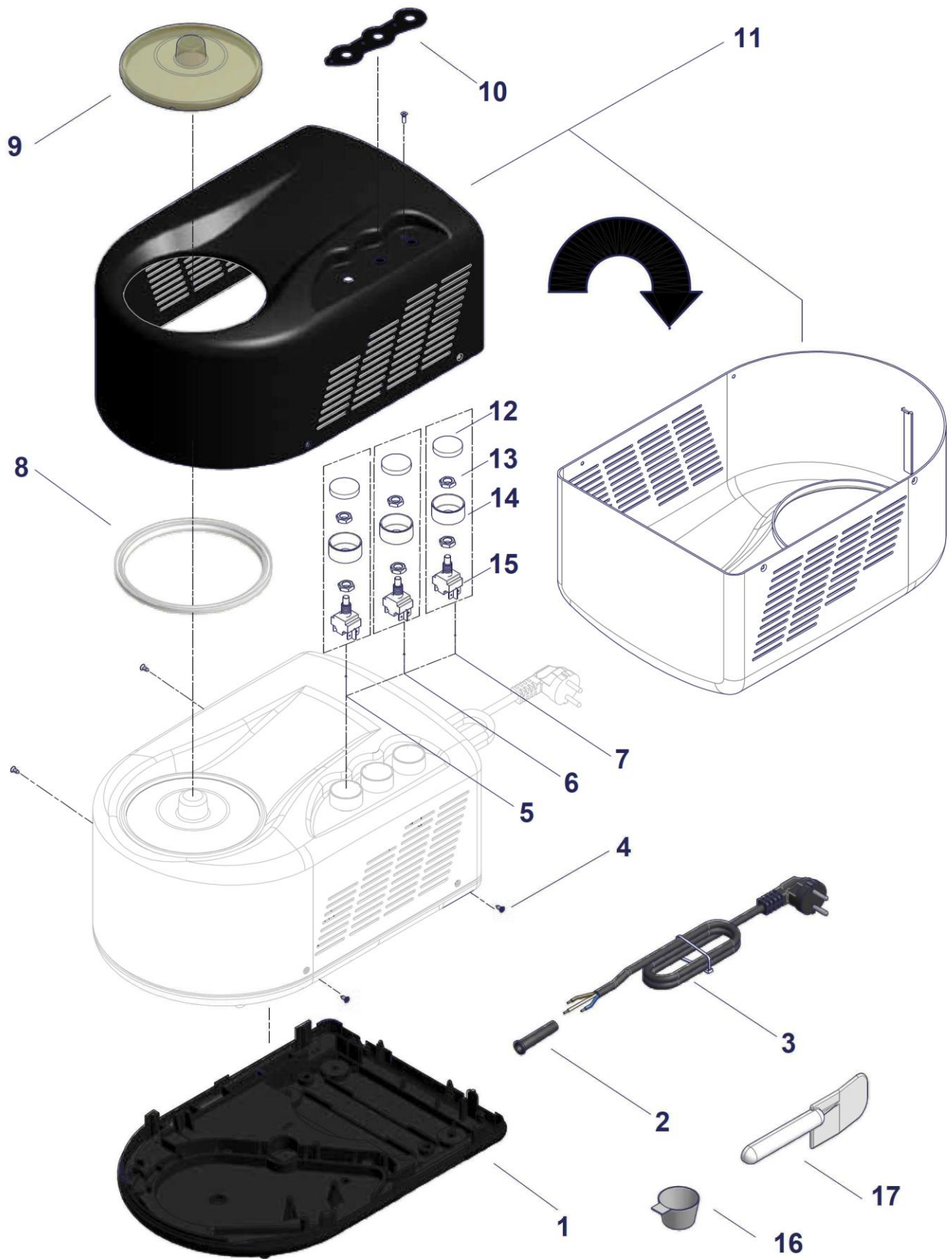
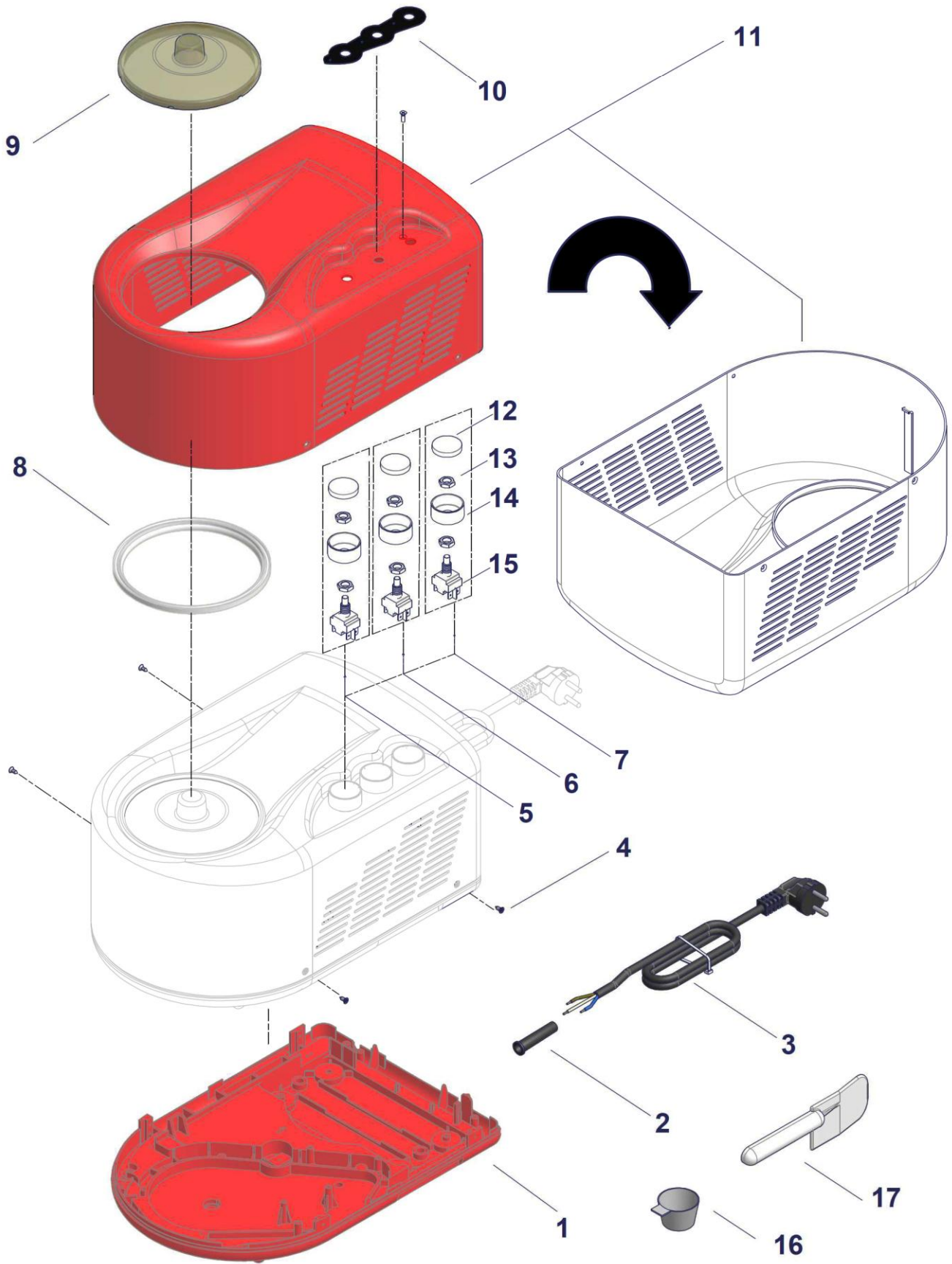


	NOMINATIVO MACCHINA:	AUTORE:
	PRO 1700 UP	Pezzi Maurizio
	CODICE DISTINTA BASE:	DATA DI EDIZIONE:
0036600830R00	21-06-2013	
CODICE DISEGNO:	TAVOLA :	
E9700EX00	1	



	NOMINATIVO MACCHINA: PRO 1700 UP	AUTORE: Pezzi Maurizio
	CODICE DISTINTA BASE: 0036600835R00	DATA DI EDIZIONE: 7-05-2013
	CODICE DISEGNO: E9600EX00	TAVOLA : 1



NEMOX[®]
 PROFESSIONAL CLASS

NOMINATIVO MACCHINA:

PRO 1700 UP

AUTORE:

Pezzi Maurizio

CODICE DISTINTA BASE:

0036600825R00

DATA DI EDIZIONE:

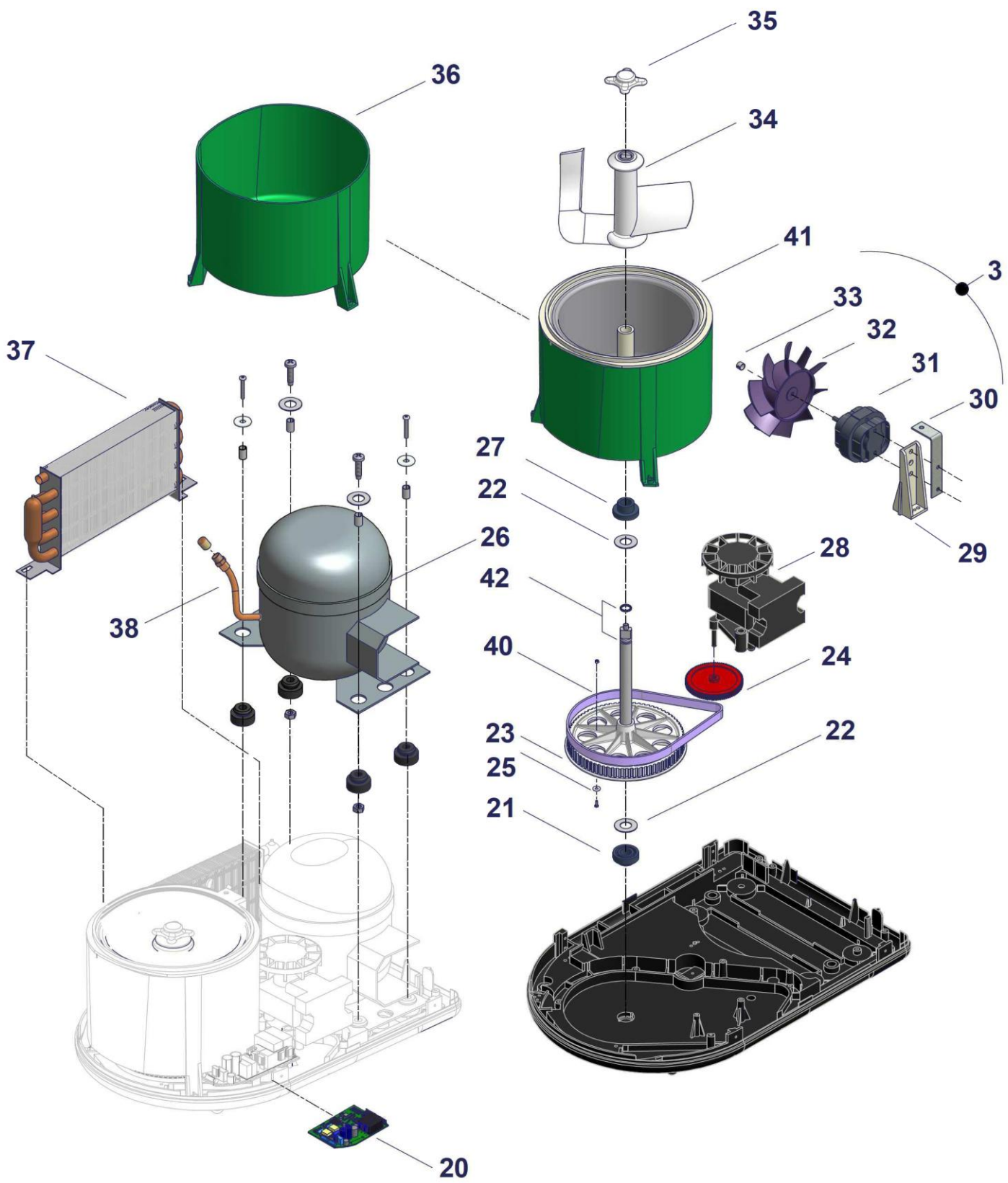
21-06-2013

CODICE DISEGNO:

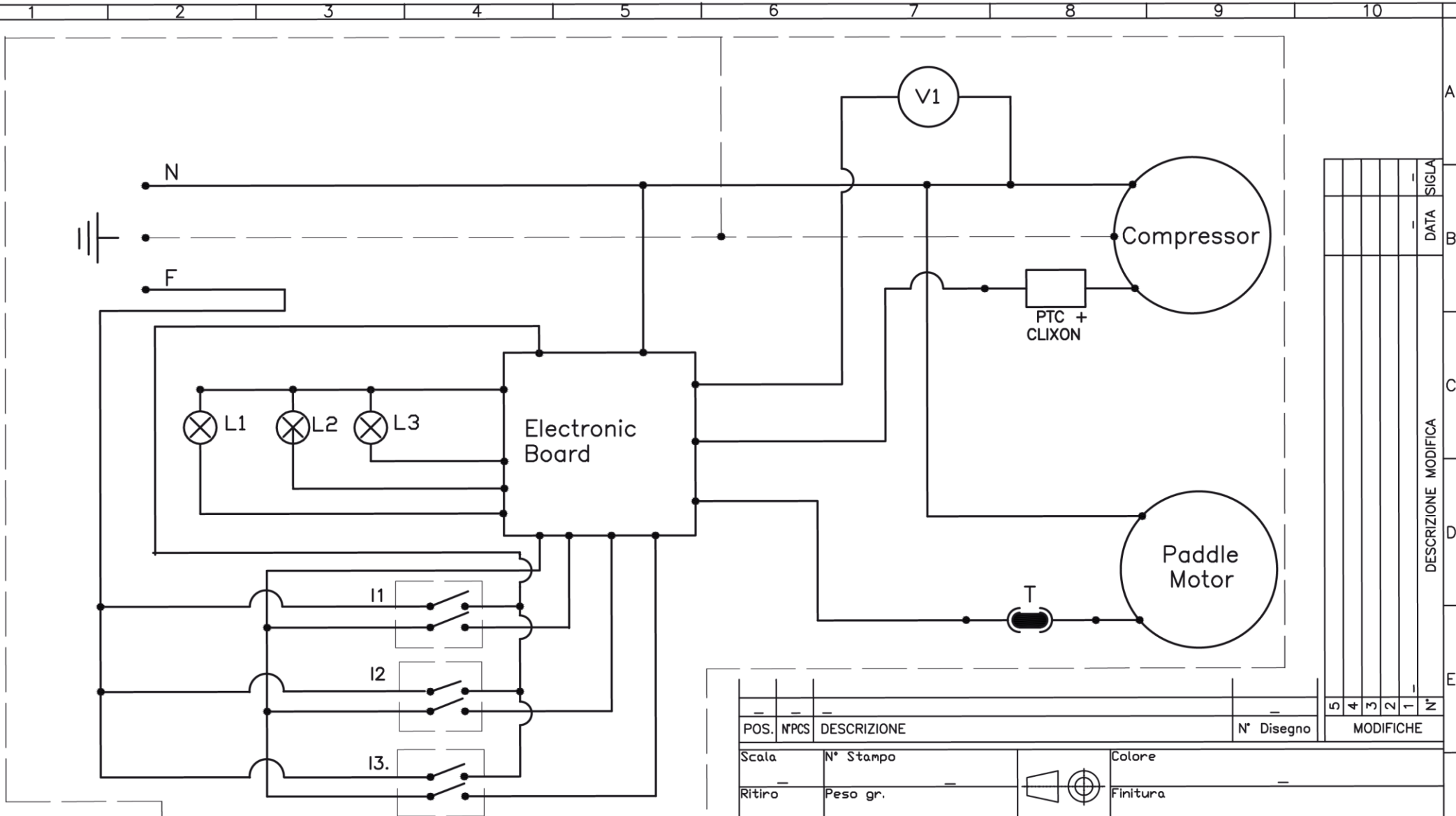
E9800EX00

TAVOLA :

1



	NOMINATIVO MACCHINA: PRO 1700 UP	AUTORE: Pezzi Maurizio
	CODICE DISTINTA BASE: 0036600835R00	DATA DI EDIZIONE: 6-05-2013
	CODICE DISEGNO: E9600EX00	TAVOLA : 2



LEGEND:

- N Neutral (plug not polarized)
- F Phase (plug not polarized)
- L1 Compressor Lamp
- L2 Paddle Lamp
- L3 Storage Lamp
- I1 Compressor switch
- I2 Paddle motor switch
- I3 Storage switch
- T Paddle motor thermal protection
- V1 Cooling fan
- PTC+CLIXON Compressor protection

DATA	SIGLA

POS.	NPCS	DESCRIZIONE	N° Disegno	MODIFICHE

Scala	N° Stampo	Colore
Ritiro	Peso gr.	Finitura
TOLLERANZE GENERALI		Materiale
H11 fori / h11 alberi / j14 lineari		Progetto
± 0.2' valori angulari		F3
Disegnato	Data	Particolare
<i>M. Pezzi</i>	15/06/201	
Approvato	Data	WIRING DIAGRAM PRO 1700 UP
NEMOX		N° Disegno
La riproduzione o la cessione di questo disegno devono essere autorizzati da NEMOsrI. Any reproduction or transfer of the present drawing must be authorized by NEMOsrI.		F3007002
		Cod. Particolare

TURBINE A GLACE PRO 1700 CHROME • LISTE PIECES DETACHEES
Réf. dessin Nr.: 560102

Tav.	Réf.Nr.	Code	Description	Q.té	POINTS
1	109500R02		BASE CARROSSERIE GELATISSIMO	1	18,80
2	307900951R01		Carte electronique	1	48,00
3	109510		Douille inferieure	1	0,40
4	109506		Mesure pour bol amovible	1	0,25
5	109507		Pale	1	1,00
6	09105012		Arbre et rouede de transmission	1	18,90
7	109511		Douille supérieur	1	0,40
8	1556		Courroie	1	4,45
9	0950014R01		ENSEMBLE EVAPORATEUR	1	81,15
10	109512		JOINT BOL GELATISSIMO	1	3,30
11	222600709		Vis 4x13 Torks	1	0,10
12	09105065		HABILLEMENT CHROME	1	260,30
13	0969525		Pale (cuve fixe)	1	5,85
14	0969526		Pale (cuve amovible)	1	5,65
15	0969523		Embout fixe pale	1	1,20
16	109526R01		Couvercle transparent	1	2,10
17	528042		ETIQUETTE < SIMBOLE PALE >	1	0,65
18	528041		ETIQUETTE	1	0,65
19	528043		ETIQUETTE < simbole conservation >	1	0,70
20	0969626		BOUTON GRIS	1	1,30
21	340203		SOUFFLET EN GOMME	1	1,55
22	300703		INTERRUPTEUR	1	2,95
23	300717		INTTTERUPTEUR	1	3,20
24	307900919r01		ETIQUETTE PANNEAU DE CONTRÔLE	1	21,30
25	314400706		Cordon d'alimentation	1	3,15
26	110100364		Passefil	1	0,35
27	1650014		CONDENSATEUR	1	45,55
28	321400549		Compresseur	1	182,05
29	321400563		MOTEUR TRANSIMMISSION PALE	1	28,50
30	1512		ENGRENAGE INTERM. Z83/Z10	1	3,25
31	222600777		Aimants	1	3,10
32	109514		Patte support moteur	1	0,60
33	321414		Moteur ventilation	1	5,85
34	110100817		Ventilateur	1	1,60
99	509953		LIVRE DE RECETTES	1	0,35
99	509989r01		NOTICE	1	1,45
99	537818		BOITE COULEUR	1	2,25
99	544905		BOITE COLISAGE	1	4,15
99	5720		CALE POSTERIEURE EN PS	1	9,10
99	5723		CALE FRONTALE	1	7,00

		PRO 1700_UP_BLACK	PRO 1700_UP_WHITE	PRO 1700_UP_RED	DESCRIPTION
1	1	969653	0969652	0969651	BASE
1	2	110100364	110100364	110100364	CABLE
1	3	314400706	314400706	314400706	POWER CORD SCHUKO PLUG
1	4	222600709	222600709	222600709	TORK SCREW 4X13
1	8	109532	109532	109532	BOWL GASKET
1	9	109526R01	109526R01	109526R01	TRANSPARENT LID
1	10	307900919R01	307900919R00	307900919R01	CONTROL PANEL
1	11	0969650	0969649	0969648	FAIRING
1	13	340257	340257	340257	BUTTON COVER
1	14	340258	340258	340258	BUTTON HOUSING
1	15	300717	300717	300717	BIPOLAR SWITCH 10A + 2 NUTS
1	16	109506	109506	109506	MEASURER
1	17	109507	109507	109507	PADDLE
1	18	100985	100985	100985	STIRRUP OF FIXING
2	20	307900951R01	307900951R01	307900951R01	ELECTRONIC BOARD
2	21	109510	109510	109510	LOWER BUSHING
2	22	222600650	222600650	222600650	FLAT WASHER
2	23	211300529	211300529	211300529	SHAFT AND WHEELS
2	24	1518	1518	1518	GEAR
2	25	222600777	222600777	222600777	MAGNET
2	26	321400549R02	321400549R02	321400549R02	COMPRESSOR
2	27	109511	109511	109511	UPPER BUSHING
2	28	321400572R01	321400572R01	321400572R01	PADDLE MOTOR
2	29	109514	109514	109514	FAN MOTOR SUPPORT
2	30	236289	236289	236289	BRACKET
2	3.0	0610042R01	0610042R01	0610042R01	FAN SYSTEM
2	31	321414	321414	321414	FAN MOTOR
2	32	110100817	110100817	110100817	PLASTIC FAN
2	33	315017	315017	315017	FLEXIBLE RING
2	34	109502	109502	109502	PADDLE
2	35	109523	109523	109523	NUT
2	36	109509R01	109509R01	109509R01	PLASTIC BOWL COATING
2	37	1650014R01	1650014R01	1650014R01	CONDENSER GROUP
2	38	210700706	210700706	210700706	CHARGER PIPE AND VALVE
2	40	1556	1556	1556	BELT
2	41	0950014R04	0950014R04	0950014R04	EVAPORATOR
2	42	113200271	113200271	113200271	O-RING
0	99	509953R02	509953R02	509953R02	RECIPE BOOK
0	99	509989R02	509989R02	509989R02	INSTRUCTION BOOK