

NEMOX[®]
 PROFESSIONAL CLASS

NOMINATIVO MACCHINA:
 PRO 5K PLUS

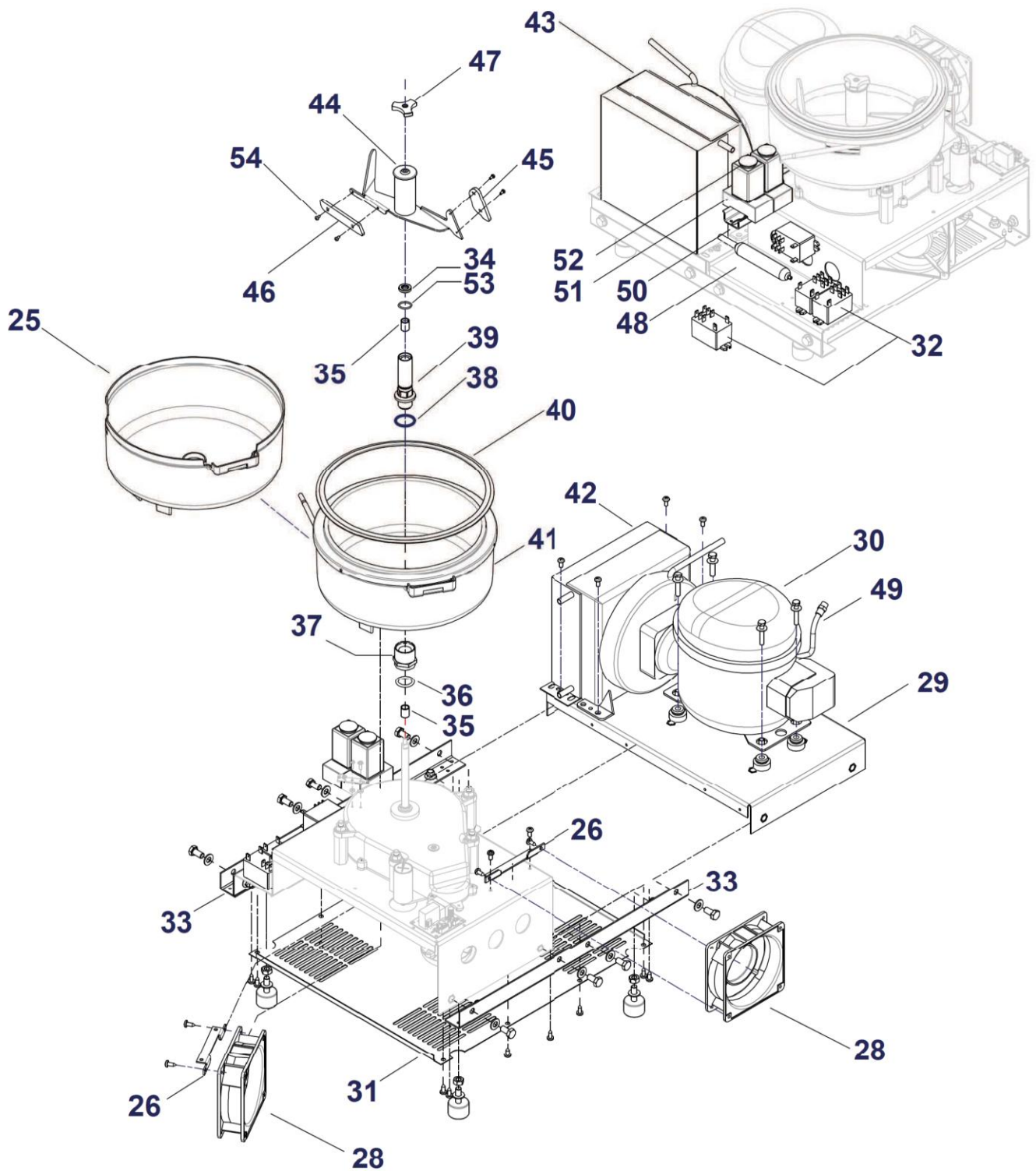
CODICE DISTINTA BASE:
 0038200260R01

CODICE DISEGNO:
 L2A1003

AUTORE:
 Pezzi Maurizio

DATA DI EDIZIONE:
 08-07-2013

TAVOLA :
 1



NEMOX[®]
 PROFESSIONAL CLASS

NOMINATIVO MACCHINA:
 PRO 5K PLUS

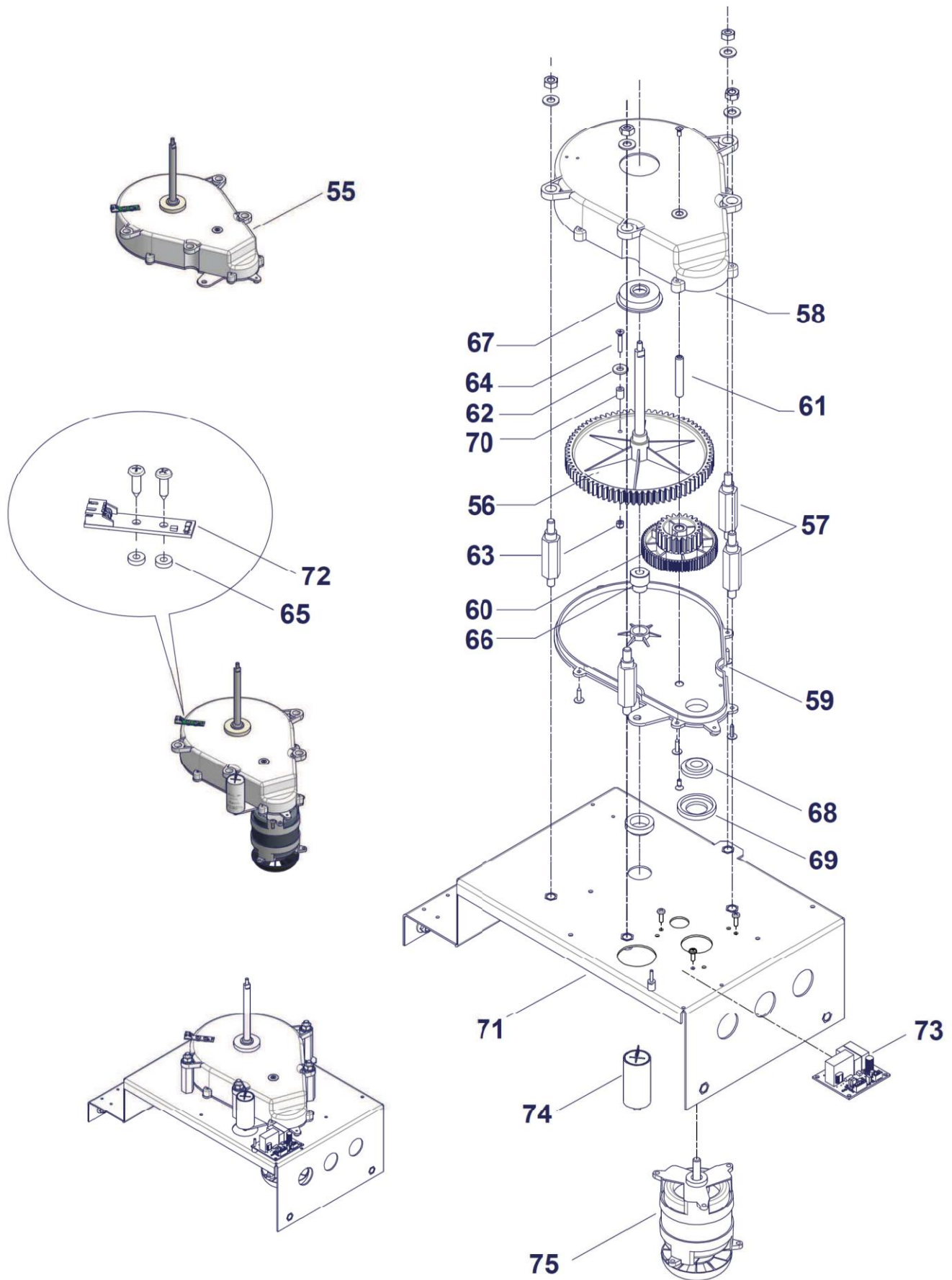
AUTORE:
 Pezzi Maurizio

CODICE DISTINTA BASE:
 0038200260R01

DATA DI EDIZIONE:
 8-07-2013

CODICE DISEGNO:
 L2A100301

TAVOLA :
 2



NEMOX
PROFESSIONAL CLASS

NOMINATIVO MACCHINA:
PRO 5K PLUS

CODICE DISTINTA BASE:
0038200260R01

CODICE DISEGNO:
L2A1003

AUTORE:
Pezzi Maurizio

DATA DI EDIZIONE:
09-07-2013

TAVOLA :
3

Ref drawing Nr.: I2A100301

| Tav. | Ref. Numbe | Item Cod | Description | Qty | POINTS |
|------|------------|--------------|--------------------------|-----|----------|
| 0 | 99 | 519806 | INSTRUCTIONBOOK | | 160 |
| | 1 | 620110 | FRONTFAIRING | | 31.80 |
| | 2 | 238869 | RIGHT SIDE WITH INSERTS | | 51.00 |
| | 3 | 238871 | BACKCOVER | | 39,QQ |
| | 4 | 238901 | TOP | | 10740 |
| | 5 | 238870 | LEFTSIDE WITH INSERTS | | 5100 |
| | 6 | 109702 | UDCAP | | 0.6S |
| | 7 | 238981 | PIASTIC UD | | 20.90 |
| | 8 | 238982 | UD HOLDING PIASTIC BLOCK | | 3-0 |
| | 9 | 10640407R01 | HINGE | | 3.60 |
| | 10 | 307400533 | MAGNET | | 11.20 |
| | 11 | 0963165 | REEDBULB | | 26.35 |
| | 12 | 238873 | PLATE CLAMP CABLE | | 6,40 |
| | 13 | 110100378 | CABLESLEEVE | | 255 |
| | 14 | 314400705ROI | POWERCORD | | 4.60 |
| | 15 | 1121 | FEET | 4 | 3,70 |
| | 16 | 307400511 | TIMER | 2 | 62.80 |
| | 17 | 300709 | BIPOIAR SWITCH | | 4.45 |
| | 18 | 110100285 | TIMER KNOB | | 110 |
| | 19 | 113051 | RUBBERPROTECTIONUD | | 0,15 |
| | 20 | 222600821 | SCREW | 12 | 0,15 |
| | 21 | 238876 | GRILL HANDLE | 2 | 6.45 |
| | 22 | 307400508 | TIMER | | 4.40 |
| | 25 | 110100253ROI | PIASTIC HOUSING | 1 | 12.50 |
| | 26 | 238867 | PLATEFANHOLDER | 2 | 610 |
| | 1 28 | 110100815 | FAN 120X120X38 220 V | 2 | 14.9S |
| | 2 29 | 238875 | PLATEHOLD CO~IPRESSOR | | 51.60 |
| | 2 30 | 321400553 | COMPRESSOR | | 31050 |
| | 2 31 | 238872 | LOWERCOVER | | 2100 |
| | 2 32 | 307730 | RELAY | 4 | 30,50 |
| | 2 33 | 238866 | CORNER | 2 | 14.80 |
| | 2 34 | 238898 | GASKET | 1 | 1,35 |
| | 2 35 | 228012 | eUSH | 2 | 100 |
| | 2 36 | 1102064 | OR 4081 | | 0,30 |
| | 2 37 | 238890ROI | NUT FOR SLEEVE | | 28.50 |
| | 2 38 | 1102059 | OR 26XI | | 2.30 |
| | L 12 | 238889R01 | STAINLESSSTEEL SIFEEV | | 42.8<1.. |
| | 2 40 | 113002 | aoWLGASKET | | 575 |
| | 2 41 | 0950025R03 | EVAPORATOR | | 229,50 |
| | 2 42 | 1650019 | CONDENSER | 1 | 165-5 |
| | 2 44 | 110100159R02 | PADDLE | 1 | 92,00 |
| | 2 45 | 110100232 | PADDLE VERTICAL INSERT | 2 | 9,00 |
| | 2 46 | 110100233 | STRAIGHT INSERT | | 900 |
| | 2 47 | 238883R02 | PADDLE LOCKING NUT | | 20.10 |

ICE CREAM MAKER PRO 5 K PLUS • Spare part list

Ref drawing Nr.: I2A100301

| Tav. | Ref. Numbe | Item Cod | Description | Q.ty | POINTS |
|------|------------|-----------|-----------------------|------|--------------|
| | | 1650021 | ALTER ORI'CRCONDENSER | | 315 |
| 2 | 49 | 210700706 | CHARGERPIPE | | 2,00 |
| 2 | 50 | 307400513 | STIRRUTIMER | | 4.aS |
| | | | | | 1910 |
| | | | | | 221,20 |
| 3 | 65 | 227501 | SPACERTO AX P<B | | |
| 3 | 66 | 228001 | BUSHING | | |
| 3 | 67 | 228003 | GEARBUSHING | | |
| 3 | 68 | 228010 | BUSHING | | 6,00 |
| 3 | 69 | 228013 | BUSHING | | 3,00 |
| 3 | 70 | 238412 | N'IIION THIO<NESS | 4 | 0,20 |
| 3 | 71 | 23BB68R01 | EVAPORATORSTRUCTURE | | 5200 |
| 3 | 72 | 307900980 | ELECTRONICBOARDSENSOR | | 4,50 |
| 3 | 73 | 307900979 | ELECTRONICBOARD | | 26,10 |
| 3 | 74 | 307400578 | STARTINGCAPACITOR | | 4,50 |
| 3 | 75 | 321400579 | PAIJOLET-IOTOR | | 11570 |