

RIF. 99 Non presente nell'esposo

NEMOX

Descrizione / Description

GRUPPO FINITO GELATIERA PRO 10K 220V

Date

22/07/08

N° DISEGNO
Drawing N°

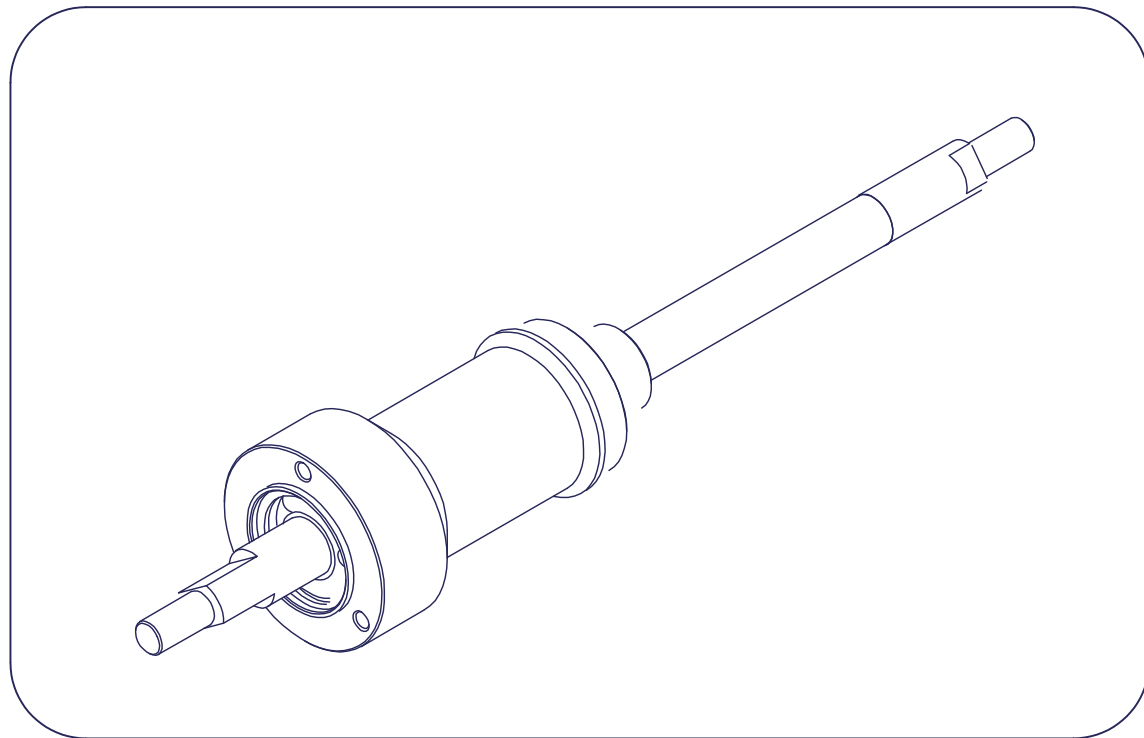
513100_1

ICE CREAM MAKER PRO 10K 230V 50Hz • Spare part list
Ref drawing Nr.: 513100_1

Tav.	Ref. Numbe	Item Cod	Description	Q.ty	Price Ex works
0	99	519703	INSTRUCTION BOOK	1	0,55
1	1	238826	COOLING SISTEM STRUCTURE	2	12,10
1	2	06000074	DRAWER FRONTS	1	123,90
1	3	620090	PUSHBOTTON DASHBOARD	1	2,15
1	4	300400463	GREY BUTTON	1	5,75
1	5	238848	HANDLE	1	3,55
1	6	304227	LIGHT SC4 SIGNALATING H20 120/230V	1	1,10
1	7	110100299	WHITE TIMER KNOB	1	0,30
1	8	620089	FRONT CONTROL PANEL	1	15,80
1	9	238852	PLASTIC HANDLE	3	16,05
1	10	238827	SIDE COVER	2	67,75
1	11	3547	PLASTIC NIPPLE	1	3,25
1	12	238831	MICRO STIRRUP FIXED	1	4,90
1	13	238858	STAINLESS STEEL TAP	1	44,70
1	14	239935	COPPER PIPE EVAPORATOR	1	113,40
1	15	200300515R01	FIXED BOWL	1	93,00
1	16	238840R01	PADDLE SLEEVE	1	6,20
1	17	238861	LATERAL INSERT	1	17,75
1	18	238818	NUT FOR FIXING PADDLE	1	17,30
1	19	096996060	PADDLE	1	190,80
1	20	238862	LOWER INSERT	1	23,05
1	21	238865	INTERMEDIATE INSERT	1	16,30
1	22	238846R01	BUSH	1	22,80
1	23	307400506	30' TIMER	1	10,25
1	24	10640407	INOX HINGE	1	7,80
1	25	238849	LID HOLDING PLASTIC BLOCK	1	37,50
1	26	300914	MICROSWITCH	1	5,60
1	27	238836	METAL PLATE FOR MICROSWITCH	1	1,00
1	28	10640403R04	TRASPARENT LID	1	32,70
1	29	238823	TOP	1	41,20
1	30	321400575	MOTOR	1	312,00
1	31	06000070	PADDLE DRIVE SHAFT	1	46,05
1	32	300901	MICRO SWITCH	1	1,95
1	33	238830	MICRO STIRRUP FIXED	1	6,35
1	34	238821R01	UPPER PLATE	1	14,30
1	35	238844	PINION	1	10,10
1	36	238855	ROLLER BELT TENSIONER	1	60,65
1	37	238854	BELT TENSIONER	1	21,75
1	38	238857	PULLEY	1	59,30
1	39	238856	POLY-V BELT	1	8,85
1	40	307702	PUMP MOTOR	1	20,60
1	41	238829	COVER GLOVE BOX	1	25,15
1	42	307726	RELAIS MOTOR DEVICE	1	132,35
1	43	238824	INTERMEDIATE STIRRUP	1	7,10

ICE CREAM MAKER PRO 10K 230V 50Hz • Spare part list
Ref drawing Nr.: 513100_1

Tav.	Ref. Numbe	Item Cod	Description	Q.ty	Price Ex works
1	44	3549	STRAIGHT NIPPLE	1	2,15
1	45	238835	STIRRUP DRAIN FITTING	1	1,50
1	46	238863	DRAIN FITTING	1	5,35
1	47	3548	PUMP NIPPLE	2	2,40
1	48	238825	BACK PANEL	1	15,50
1	49	210700710	EVAPORATOR COPPER PIPE	1	2,55
1	50	238822	STRUCTURE SUPPORT STIRRUP	1	20,55
1	51	238828	SIDE GLOVE BOX	2	3,90
1	52	238820	ANGLE STIRRUP	4	3,05
1	54	1650017	CONDENSER	1	254,00
1	55	321400555	COMPRESSOR	1	367,10
1	56	1650018	CONDENSER FILTER	1	0,85
1	57	210700712R01	CURVE FOR SHAPED FILTER	1	1,00
1	58	110100378	CABLE SLEEVE	1	2,55
1	59	238834	FIXED CABLE STIRRUP	1	5,90
1	60	238837	STRUCTURE BASEMENT	1	15,50
1	61	238850	WHEELS	2	0,60
1	62	1121	FEET	2	3,70
1	63	210700702	CHARGE PIPE	1	1,20
1	64	113007	BOWL GASKET	0,5	4,20
1	65	238891	EVAPORATOR STIRRUP	1	4,60
1	66	238895	OIL PROTECTION 25.4/15x5h NBR	1	0,40
1	67	1102057	O-R	1	0,10
1	68	238853	KNOB	1	2,20
1	69	238851	HINGE	2	6,05
1	70	238892	HEXAGON ROD	3	2,40
1	71	238893	ROD	3	8,40



HUB
238842R01

SEEGER
222600834

PADDLE SHAFT
238839

P14

SPACER
238843R01

BEARING D_{est} 35
238864

BEARING D_{est} 32
238894

SEEGER
222600808

	OQOKPCVIXQ OCEEJKPC 10K_R01 PART.31	#WVQTG Pezzi Maurizio
	%QFKEG FKUVKPVDCUG 06000070	&CVC FK GFK\KQPG 26-09-2013
	%QFKEG FKUGIPQ 31	6CXQNC 1